



SONESSE 50 WT PA TECHNICAL DATA

TS - FPTE
RANGE 6
ST50 WT PA Range6 R2
 15/10/2007 Page 1/2

Nominal voltage	220V - 60 Hz
Power supply tolerances	206,4 - 226,8 V
Thermal time	5 minutes
Number of wires of the cable	4
Wire section	0,75 mm ²
Type of Limit Switch Unit	Progressive limit switch
Capacity of the Limit Switch Unit	29 turns
Repeatability	± 8°
System of protection	IP 31
Interface drawings	206810 : Screw Implantation LT50 206821 : Wheel Interface LT50 206822 : Crown Interface LT50 206823 : Star Head LT50 PA/PS 206863 : Buttons LT50 PA
Basic crown for tube Ø	50 x 1,5 mm + see integration recommendations
Temperature working range	Normal use : 0°C to + 60°C
Noise Level	According to SOMFY measurements (Pressure level measured at 1m from the end product).

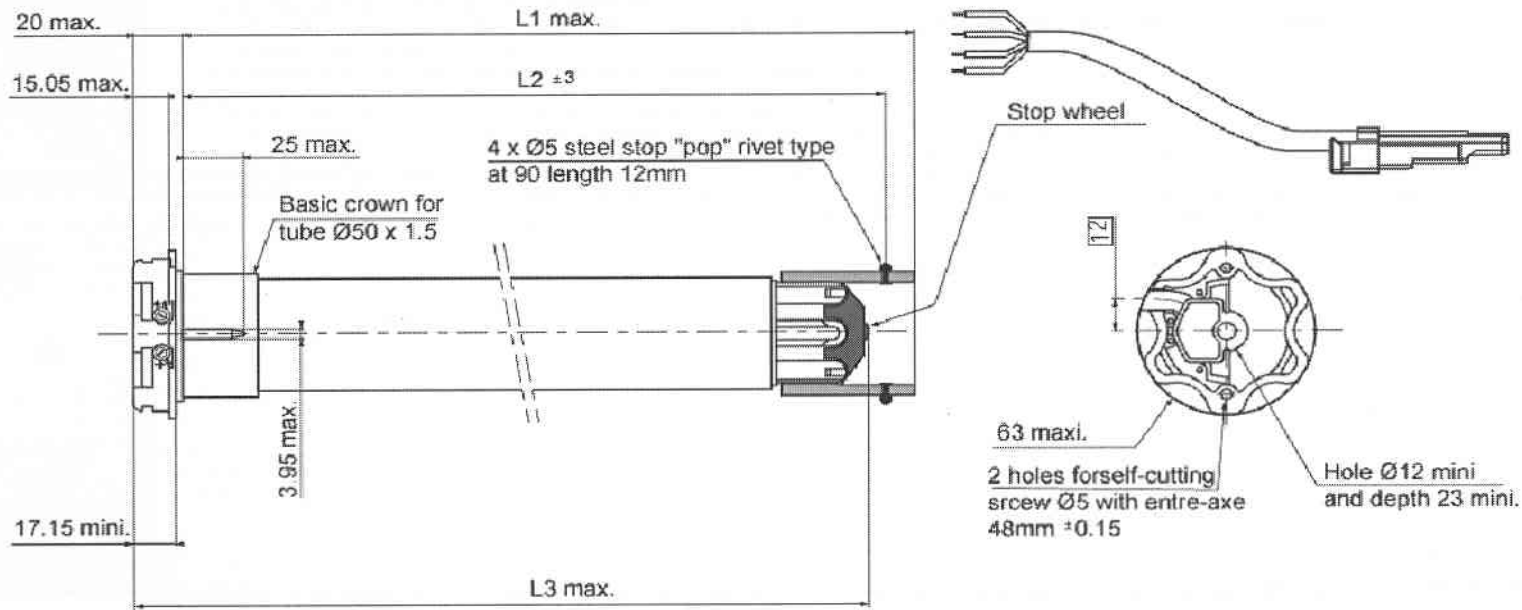
Integration recommendations

- * The noise level depends upon the right fit between customers tubes and accessories, especially the crowns and the wheels.
- * Free plays have to be minimized between the accessories and the end product tube to ensure the performance of the actuator.
- * Interior tube diameter > 47 mm - compatible with LT50 range crowns and wheels -
- * Crown as an interface with tubes is compulsory to ensure the performance of the actuator.
- * The stop wheel (ref : 9910004) must be screwed with a torque ranging between 1.5Nm and 1.8Nm.
- * Drive wheel must be riveted to the tube.
- * It's recommended to use the specific collapsible idler end cap (ref : 9013592 or ref : 9013593) for silent result (do not use LT50 idler end caps).
- * Somfy Soft Clip wheels are forbidden for this application.

Tests done at 20°C, 220V 60Hz, in a tube of Ø63

Designation	Nm Nominal torque	rpm No-load Speed	reference	mm L1 max.	mm L2 (±3 mm)	mm L3 max.	mm tube	W Rated power	A Rated current	°C Thermal tripping	Brake type	kg Weight	dBA Noise	mm Stator	µF Capacitor
503S6 SONESSE PA VVF3m	3	32	5047836A	712	701	726	650	90	0,4	120	sliding	2,52	≤44	60	2,5

Neutral	Blue
White adjusting screw	Brown
Yellow adjusting screw	Black
Earth	Green / Yellow



R & D		QUALITY		AUTHOR	
Name	Yann LE RU	Name	Xavier COLET	Name	Amand MARTIN
Date	15 10 07	Date	15/10/2007	Date	le 15/10/07
Visa		Visa		Visa	