



## SONESSE 50 WT TECHNICAL DATA

TS - FPTE  
RANGE 6  
ST50 WT Range6 R2  
15/10/07 Page 1/2

Nominal voltage	220 V - 60 Hz
Power supply tolerances	206,4 - 226,8 V
Thermal time	5 minutes
Number of wires of the cable	4
Wire section	0,75 mm <sup>2</sup>
Type of Limit Switch Unit	Quick limit switch
Capacity of the Limit Switch Unit	46 turns
Repeatability	± 5°
System of protection	IP 31
Interface drawings	206810 : Screw Implantation LT50 206817 : Buttons LT50 206821 : Wheel Interface LT50 206822 : Crown Interface LT50 206823 : Star Head LT50, LT50 PA/PS
Basic crown for tube Ø	50 x 1,5 mm + see integration recommendations
Temperature working range	Normal use : 0°C to + 60°C
Noise Level	According to SOMFY measurements (Pressure level measured at 1m from the end product).

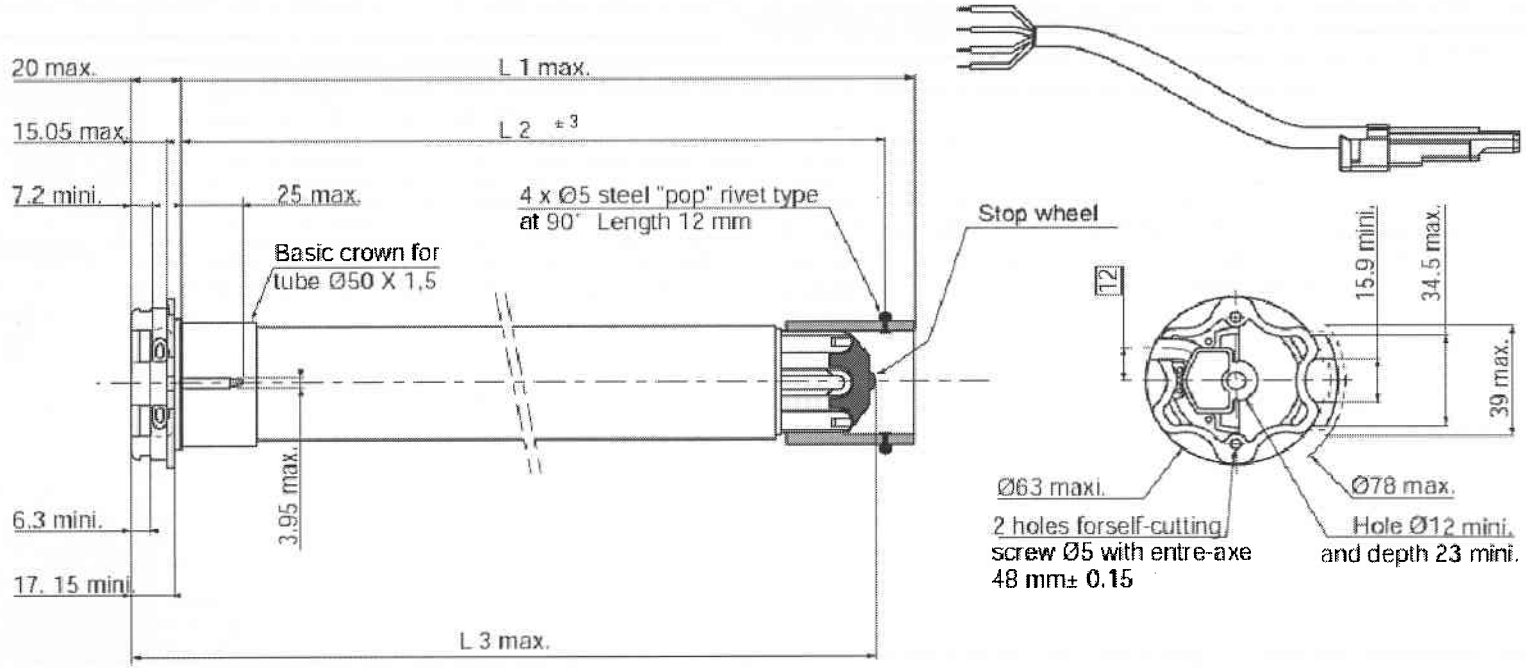
### Integration recommendations

- \* The noise level depends upon the right fit between customers tubes and accessories, especially the crowns and the wheels.
- \* Free plays have to be minimized between the accessories and the end product tube to ensure the performance of the actuator.
- \* Interior tube diameter > 47 mm - compatible with LT50 range crowns and wheels -
- \* Crown as an interface with tubes is compulsory to ensure the performance of the actuator.
- \* The stop wheel (ref : 9910004) must be screwed with a torque ranging between 1.5Nm and 1.8Nm.
- \* Drive wheel must be riveted to the tube.
- \* It's recommended to use the specific collapsible idler end cap (ref : 9013592 or ref : 9013593) for silent result (do not use LT50 idler end caps).
- \* Somfy Soft Clip wheels are forbidden for this application.

### Tests done at 20°C, 220V 60Hz, in a tube of Ø63

	Nm	rpm		mm	mm	mm	mm	W	A	°C		kg	dBA	mm	µF
Designation	Nominal torque	No-load Speed	reference	L1 max.	L2 (±3 mm)	L3 max.	tube	Rated power	Rated current	Thermal tripping	Brake type	Weight	Noise	Stator	Capacitor
503S6 SONESSE VVF3M	3	32	5047050A	712	701	726	650	90	0,4	120	sliding	2,52	≤44	60	2,5

WIRING	Neutral	Blue
	White Button	Brown
	Yellow Button	Black
	Earth	Green / Yellow



R & D		QUALITY		AUTHOR	
Name	Yann LE RU	Name	Xavier COLET	Name	Amand MARTIN
Date	15 10 07	Date	15/10/2007	Date	le 15/10/07
Visa		Visa		Visa	